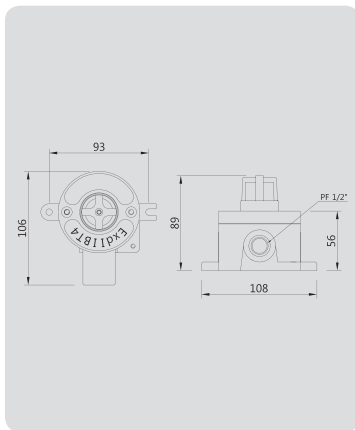


# KGD-SI100D

## Explication and Features

KGD-SI100D SET is a combustible gas detector that consists of a sensing unit and a receiver. This is used to detect gas leaks in the pipe or valve. KGD-SI100D SET is a low-priced entry-level products.



## Detector KGD-SI100D

- Explosion proof structure
- Long distance communication with 4~20mA analog output
- Convenient installation
- Simple structure, reasonable price

## Applications

Steelworks, Sewage treatment plant, Petrochemical plant, Mine, Shipbuilding yard

## Specification

Model	KGD-SI100D
Measuring gas	LNG/LPG(methane/propane)
Measuring type	Diffusion type
Measuring method	Catalytic
Measuring range	0~100%LEL
Sensor life time	> 2 years
Response time	<10sec/90%scale
Accuracy	±3%/Full scale
Output signal	4-20mA DC
Cable/Distance	CVVSB1.5SQ × 3Wire (Power + signal) / 2,500m max
Conduit connection	NPT 1/2"
Mounting type	Wall mount
Operating temperature	-20°C~+50°C
Operating humidity	0%~95% RH(non-condensing)
Operating power	24V DC +/- 20%, <90mAh
Material	Aluminium
Dimensions	93(W) × 106(H) × 89(D)mm
Weight	0.6kg
Approval	Ex d II B T4/14-KB2BO-0422(KTL)