

Trustworthy Certification

PROSENSE "PQD" Series fixed gas detectors are certified with ATEX/IECEX and SIL2.

Ex-proof Safety

The continuous measurement of toxic and explosive gases is done safely in hazardous areas thanks to the ex-proof housing.

Performance Approval

It complies with the measurement performance criteria in accordance with the IEC EN 60079-29-1 standard.

Functional Safety

Prosense promotes SIL approved products to reduce safety risks associated with increasingly complicated systems as malfunctioning equipment could pose a potential risk. PQ series has ongoing process for SIL-2.

Robust and Durable

SS316 stainless steel sensor head performs perfectly under harsh environmental conditions with the IP65/IP66 protection class.

Accurate Readings

Pellistor, Electrochemical, PID, and Infrared sensors undoubtedly provide an accurate and sensitive measurement.

Ready to Operate

4-20mA Analog and Modbus RS485 RTU outputs are provided onboard to operate properly without any additional setup.

Easy Maintenance

PQD Series detectors allow sensor replacement with pre-calibrated sensor head thanks to the Procell technology.

OLED Display

The OLED screen can be easily read from any angle.



Zero Suppression

Adjusting, the detector can show a certain measurement level as 0 (zero) to avoid unnecessary concerns.

Simple External Equipment Control

Optional relay module enables you to use it as an independent gas detection system with two arbitrarily adjustable concentration alarms and one fault alarm.

Continuous Self-Test

The detectors check itself continuously to make sure it operates perfectly and indicates a fault in case of any failure.

Adjustable Parameters

All parameters can be easily changed according to the application requirements or facility standards.

Remote Display

Depending on the application requirements, the screen can be placed separately.

Easy Status Recognition

Colored LEDs (green, yellow and red) provide additional alarm and status information.

Maintenance via Software

Prosense provides software to maintain your active system easily and calibrate the gas detectors properly via computer.

Applications

- Oil&Gas
- Petrochemical
- Onshore/Offshore
- Steel-Metal Industry
- Chemical Industry
- Process Industry
- Gas Distribution Stations
- Water Treatment Plants

SAFELOG Data Logger

PQD Series records status up to 250 events. In case of sudden power cut, you can save the data thanks to the cell battery.

Automatic Calibration

Detector calibration can be done automatically via preset values recorded in detector software once calibration requirements are provided.

Pellistor-Saver Mode

Detectors power off the sensor in high gas concentration in order to properly secure the operational lifetime of pellistor sensor.

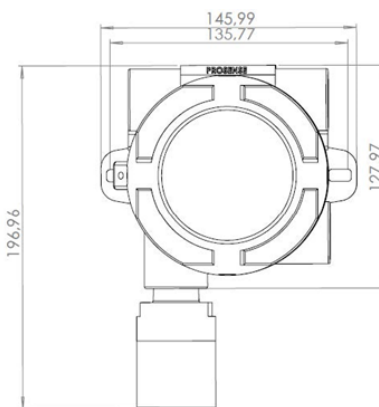
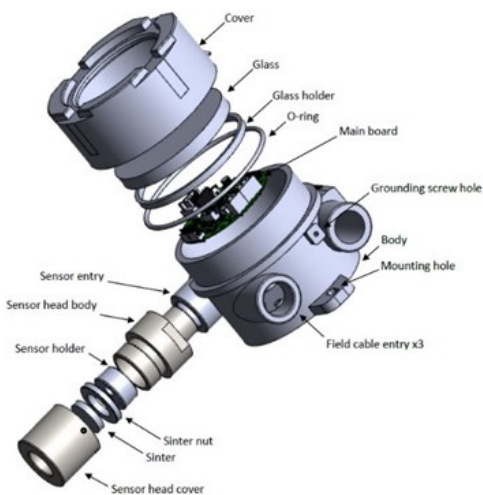
Auto Analog Signal Calibration and Monitoring

PQD Series detectors continuously check the analog output signal level to match the measurement level before promptly transferred to the panel. PQD Series adjusts the signal level in case of any deviation and generates a fault signal when the adjustment fails.

Specifications	PQD-XY36	PQD-XY35	PQD-XY34	PQD-XY33	PQD-XY31
Sensing Element	PID	Pellistor	Electrochemical	Infrared	Semi-Conductor
Output Signal	4-20mA Analog and RS485 Modbus RTU				
Sensor Warm-up Time	60sec				
Response Time (T90)	<30sec*	<25sec	<30sec**	<30sec	<15sec
Accuracy	%±1				
Operating Temperature	-40°C ~ +70°C **				
Humidity	0~100%RH ** Non-Condensing				
Input	Min 10VDC - Max 32VDC - Nominal 24VDC				
Display	128x64 Graphic OLED 5 LED indicator for detector status				
Event logging	Records alarm, fault and maintenance events up to 250 logs				
Power Consumption	Max. 4W				
Optional Relay Outputs	2 Alarms (Programmable) and 1 Fault (All relays are NO/NC adjustable)				
Cable Entry	1/2"NPT - 3/4"NPT - 3xM20				
IP Rating	IP65/IP66 Optional IP66 (Sensor Head)				
Junction Box	Epoxy Painted Die-Cast Aluminum / 316 Stainless Steel				
Sensor Head	316L Stainless Steel				
Dimensions/Weight	196,96x145,99x112mm / 2100gr				
ATEX Marking	II 2G Ex db IIC T6 Gb II 2G Ex mb db IIC T6 Gb IM2 Ex db IMb				
Hazardous Class	Zone 1 - Zone 2 - M2				
Certificates	•ExVeritas 18 ATEX 0371X •IECEX EXV 18.0021X •FTZU 18 ATEX 0086 •IEP12 ATEX 6118X •SIL2 (Pending)				
Standards	• IEC EN 60079-0 • IEC EN 60079-1 • IEC EN 60079-18 • IEC EN 60079-29-1				

*When set to continuous measurement.

**Sensor dependent.



Optional Modules

- **PQ-3R+**: 2 Alarms and 1 Fault (NO/NC adjustable) relay output card
- **P-IP66**: 316L Stainless steel sensor head adaptor to increase IP rating
- **PQD-SS**: Stainless Steel Junction box
- **P-GTA**: Ceiling mount collecting
- **P-ASU**: Prosense sampling unit
- **PQ-DISP**: Remote Display
- **PQ-PD05**: PQ Series Hand Terminal

For more information please contact with info@prosense.com.tr

XY	Gas	Product Code	Sensor Type	Measuring Range*
30	LPG	PQD – 3035	Pellistor	0-100%LEL
30	LPG	PQD – 3033	Infrared	0-100%LEL
31	Methane	PQD – 3135	Pellistor	0-100%LEL
31	Methane	PQD – 3133	Infrared	0-100%LEL
32	Petrol Vapours	PQD – 3235	Pellistor	0-100%LEL
32	Petrol Vapours	PQD – 3233	Infrared	0-100%LEL
33	n-Butane	PQD – 3335	Pellistor	0-100%LEL
33	n-Butane	PQD – 3333	Infrared	0-100%LEL
34	Propane	PQD – 3435	Pellistor	0-100%LEL
34	Propane	PQD – 3433	Infrared	0-100%LEL
35	Hexane	PQD – 3535	Pellistor	0-100%LEL
35	Hexane	PQD – 3533	Infrared	0-100%LEL
36	Hydrogen	PQD – 3635	Pellistor	0-100%LEL
37	Pentane	PQD – 3735	Pellistor	0-100%LEL
37	Pentane	PQD – 3733	Infrared	0-100%LEL
38	Toluene	PQD – 3835	Pellistor	0-100%LEL
39	Methyl Alcohol	PQD – 3935	Pellistor	0-100%LEL
40	Heptane	PQD – 4035	Pellistor	0-100%LEL
41	Octane	PQD – 4135	Pellistor	0-100%LEL
42	Ethyl Alcohol	PQD – 4235	Pellistor	0-100%LEL
43	Iso Propanol	PQD – 4335	Pellistor	0-100%LEL
44	Carbon monoxide	PQD – 4434	Electrochemical	0-300ppm
44	Carbon monoxide	PQD – 4434/B	Electrochemical	0-500ppm
44	Carbon monoxide	PQD – 4434/C	Electrochemical	0-1000ppm
44	Carbon monoxide	PQD – 4435	Pellistor	0-100%LEL
45	Acetone	PQD – 4535	Pellistor	0-100%LEL
46	Methyl Ethyl Ketone	PQD – 4635	Pellistor	0-100%LEL
47	Ethyl Acetate	PQD – 4735	Pellistor	0-100%LEL
48	Ammonia	PQD – 4834	Electrochemical	0-100ppm
48	Ammonia	PQD – 4834/B	Electrochemical	0-1000ppm
48	Ammonia	PQD – 4835	Pellistor	0-100%LEL
49	Ethylene	PQD – 4935	Pellistor	0-100%LEL
50	Acetic Acid	PQD – 5035	Pellistor	0-100%LEL
51	Butyl Acetate	PQD – 5135	Pellistor	0-100%LEL
52	Cyclo Hexane	PQD – 5235	Pellistor	0-100%LEL
53	Cyclo Pentane	PQD – 5335	Pellistor	0-100%LEL
54	Dioxane	PQD – 5435	Pellistor	0-100%LEL
55	Ethane	PQD – 5535	Pellistor	0-100%LEL
56	Butyl Alcohol	PQD – 5635	Pellistor	0-100%LEL
57	Styrene	PQD – 5735	Pellistor	0-100%LEL
58	Propylene	PQD – 5835	Pellistor	0-100%LEL

XY	Gas	Product Code	Sensor Type	Measuring Range*
59	Xylene	PQD – 5935	Pellistor	0-100%LEL
60	Acetylene	PQD – 6035	Pellistor	0-100%LEL
61	Benzene	PQD – 6135	Pellistor	0-100%LEL
62	Ethylene Oxide	PQD – 6234	Electrochemical	0-20ppm
63	Vinyl Acetate	PQD – 6335	Pellistor	0-100%LEL
64	Hydrogen Sulfide	PQD – 6434	Electrochemical	0-100ppm
65	Oxygen	PQD – 6534	Electrochemical	0-25%VOL
66	Sulphur Dioxide	PQD – 6634	Electrochemical	0-10ppm
67	Nitric Oxide	PQD – 6734	Electrochemical	0-250ppm
68	Nitrogen Dioxide	PQD – 6834	Electrochemical	0-30ppm
69	Chlorine	PQD – 6934	Electrochemical	0-10ppm
70	Hydrocarbon	PQD – 7035	Pellistor	0-100%LEL
70	Hydrocarbon	PQD – 7033	Infrared	0-100%LEL
71	Carbon Dioxide	PQD – 7133	Infrared	0-5000ppm
71	Carbon Dioxide	PQD – 7133/B	Infrared	0-5%VOL
72	Freon	PQD – 7231	Semiconductor	0-2000ppm
73	JP8 Fuel	PQD – 7335	Pellistor	0-100%LEL
74	Formaldehyde	PQD – 7434	Electrochemical	0-10ppm
74	Formaldehyde	PQD – 7435	Pellistor	0-100%LEL
75	Hydrogen Cyanide	PQD – 7534	Electrochemical	0-25ppm
76	Hydrogen Peroxide	PQD – 7634	Electrochemical	*
77	Nonane	PQD – 7735	Pellistor	0-100%LEL
78	Acetaldehyde	PQD – 7835	Pellistor	0-100%LEL
79	Hydrogen Chloride	PQD – 7934	Electrochemical	0-25ppm
81	VOC	PQD – 8136	PID	*
82	Ozone	PQD – 8234	Electrochemical	*
83	Hydrofluoric Acid (HF)	PQD – 8334	Electrochemical	*
84	Phosphine	PQD – 8434	Electrochemical	0-10ppm
85	Isobutylene	PQD – 8535	Pellistor	0-100%LEL

* Please consult Prosense sales team for specific measuring ranges and other gases those are not listed here.
For more information info@prosense.com.tr

Prosense gas detectors are fully tested and calibrated before delivery. Gas detectors must always be routinely controlled and calibrated regarding EN 60079-29-2.