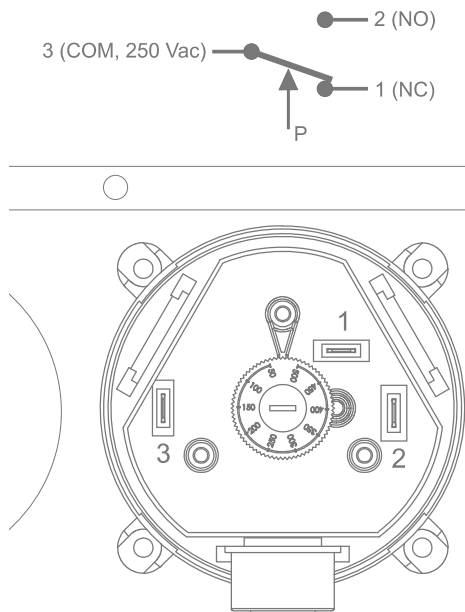


## SV FILTER GUARDS

SV filter guards are designed for filter monitoring in systems that handle air and other non-flammable gases. The guards include a pressure gauge and a differential pressure switch. The differential pressure switch switching point is adjustable.

### Wiring



### Technical data:

#### Ranges

Model	Gauge	Switch
SV 250	0...250 Pa	20...300 Pa
SV 500	0...500 Pa	50...500 Pa

#### Accuracy

switching	±15 % from the set value
gauge	±15 % from the full scale

#### Output relay

250 Vac, 1,5 A res.  
250 Vac, 0,4 A ind.

#### Number of switching operations

> 10<sup>6</sup>

#### Maximum pressure

10 kPa

#### Ambient temperature

-5...50 °C

#### Mounting

vertically (with screws)

#### Housing

IP54

#### Dimensions (w x h x d)

170 x 150 x 68 mm

### Ordering guide:

Model	Product number	Description
SV 250	1240370	filter guard, 250 Pa
SV 500	1240380	filter guard, 500 Pa
PEK-AS	1240300	accessory kit for PEK and CPS differential pressure switches