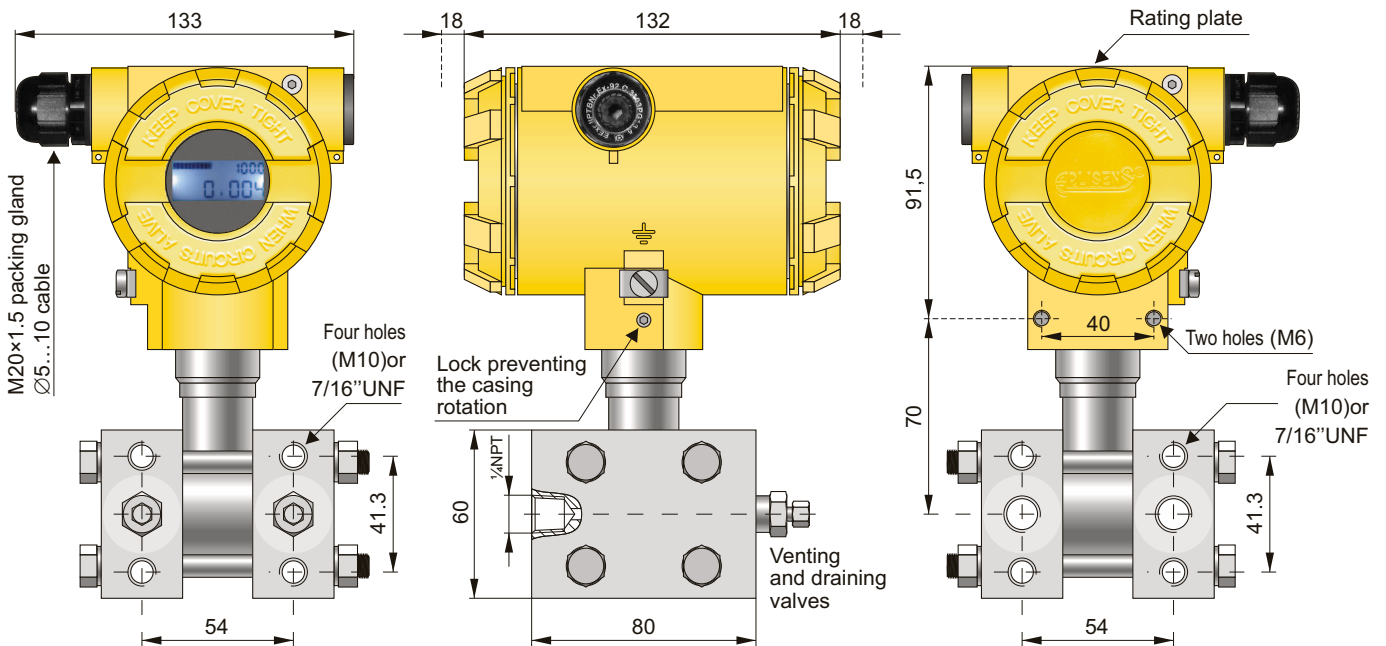


SMART DIFFERENTIAL PRESSURE TRANSMITTER APR-2000ALW

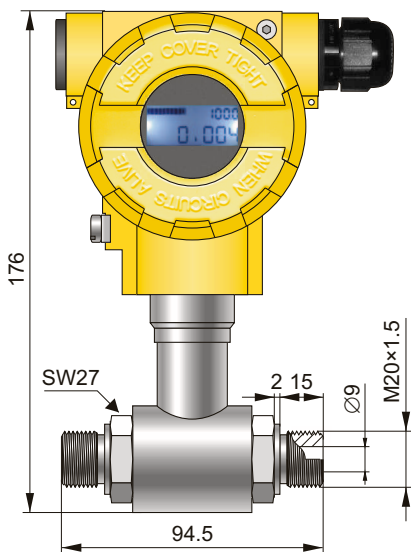
Model 2008



- ✓ Digital PROFIBUS PA signal
- ✓ 4...20 mA, 0...20 mA or 0...5 mA output signal + HART protocol
- ✓ ATEX Intrinsic safety
- ✓ ATEX Explosion proof
- ✓ PED Conformity (97/23/EC)
- ✓ Programmable zero range, shift, characteristic and damping ratio with local panel keys
- ✓ Static pressure limit up to 320bar
- ✓ Accuracy 0.075%
- ✓ Hastelloy diaphragms



Transmitter **APR-2000ALW** – version with **type C** process connection to be mounted together with a valve manifold



Example connection of impulse line

Application and construction

The APR-2000ALW transmitter is applicable to the measurement of differential pressure of gases, vapours and liquids. The active element is a piezoresistant silicon sensor separated from the medium by separating diaphragms and a specially selected type of manometric fluid. The special design of the active sensing element ensures that it is able to withstand pressure surges and overloads of up to 250 or 320 bar.

Transmitter **APR-2000ALW**

Version with **P** type process connection. Static pressure limit 40 bar

