

WATER LEAKAGE RELAY VVK 2

VVK 2 continuously detects the resistance of the sensor that is attached on the floor of the monitored space, for example. When the sensor gets wet and the sensor resistance drops below the alarm limit, the relay activates and the Alarm light is lit. When the sensor dries and the resistance rises over the alarm limit, the relay releases and the Alarm light turns off. The alarm limit (10 k Ω or 80 k Ω) can be set during commissioning.

If needed, several sensors may be connected in parallel. However, you must ensure that the total sensor circuit dry resistance doesn't drop below alarm level. Also observe the parallel connection effect on the alarm sensitivity.



For example, VVN and VVA sensors can be connected in parallel as follows:

Alarm limit	Maximum sensor amount	Total dry resistance
80 k Ω	3	approx. 100 k Ω
10 k Ω	10	approx. 30 k Ω

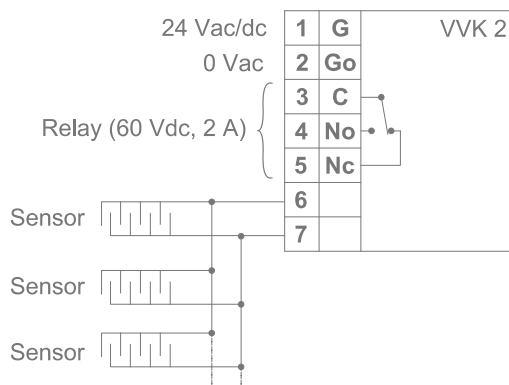
Sensor fault alarm (= Alarm light flashes and relay activates) activates when the sensor resistance rises over 330 k Ω .

NOTE: In case of parallel sensors, the sensor fault alarm activates only when the total sensor circuit resistance rises over 330 k Ω . Therefore the device doesn't detect the fault/missing of a single sensor.

Selecting the alarm limit

S1	Sensitivity	Alarm limit
	H = high	< 80 k Ω
	L = low	< 10 k Ω

Wiring



Technical data

Supply	24 Vac/dc, 2 VA
Alarm limits	
H	< 80 k Ω
L	< 10 k Ω
Output	potential free contact 60 Vdc, 2 A
sensor fault alarm	> 330 k Ω
Dimensions (w x h x d)	53 x 90 x 61 mm

Ordering guide:

Model	Product number	Description
VVK 2	1187024	water leakage relay
VVA 1	1187020	sensor with housing
VVA 2	1187021	sensor, 2 m cable
VVA 3	1187026	sensor 25 x 200 mm with adhesive tape, 2 m cable
VVN 1	1187025	1 m cotton tape sensor, 2 m cable
VVN 2	1187023	2 m cotton tape sensor, 2 m cable